



INSTRUCTION

JET BAR - FIX POINT SYSTEM

Model:CB-1022
(SIZE: L125cm / L140cm)



※ 請依車頂寬度選用適當長度之進橫桿進行安裝。選配之長度:125cm/L140cm
※ Please select the crossbar with the proper length for your car according to your car width. The crossbar at 125 cm or 140 cm is available.



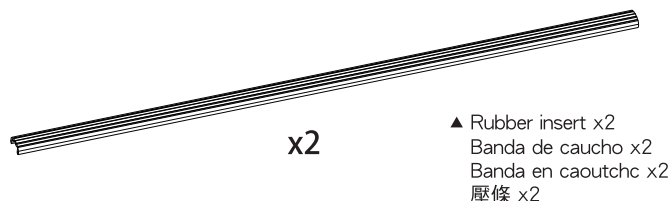
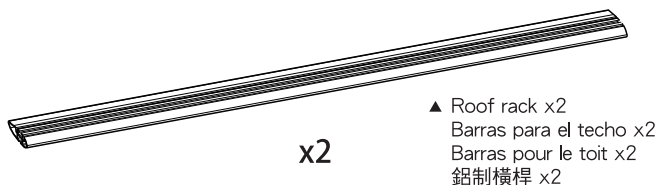
JET BAR -FIX POINT SYSTEM

Model:CB-1022
Rack components listed below and are purchased separately
Model:AP-3389(Foot for cars with naked roof)
Model:AP-3388(125cm aluminum bar)
Model:AP-3390(140cm aluminum bar)

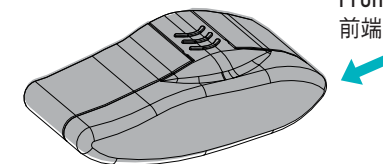


- 打開包裝確實檢查配件是否齊全
- Please open the package and check if the accessories are completed.

※ 安裝後橫桿不可超出車身寬度
※ After installing, the crossbar can't exceed the car width.



▲ Foot Base
基座
x4

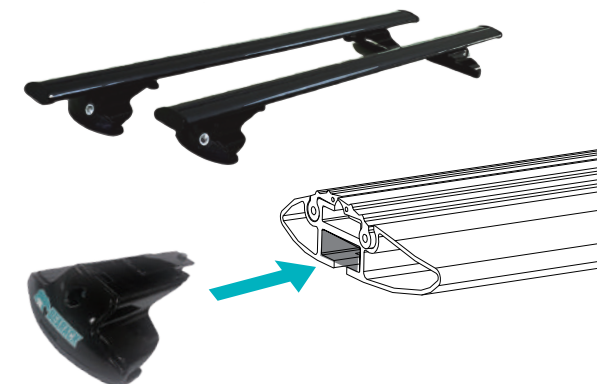


▲ End cap
尾塞
x4

- ※ 配件包內含
- (1)M6 螺絲+M6用六角旋鈕(四角旋鈕為皮卡車後貨斗安裝使用)
 - (2)M8 螺絲+M8用旋鈕
 - (3)長六角螺絲(特殊車款預留孔延伸用Ex:CRV三代)

- 將基座滑入橫桿下方滑槽
- Please put the base into the groove under the crossbar.

1



- 注意! 基座可鎖固定範圍
- Attention! The range for the base can be locked.

2

- 車頂固定點類型 (選擇M6或M8螺絲)



全開式車頂固定點



左右開合車頂固定點



前後蓋車頂固定點



注意
螺絲頂住後，以內六角工具
順時針旋緊加壓約1/4圈

安裝步驟



① 螺絲鎖定後將橫桿機構底座放入



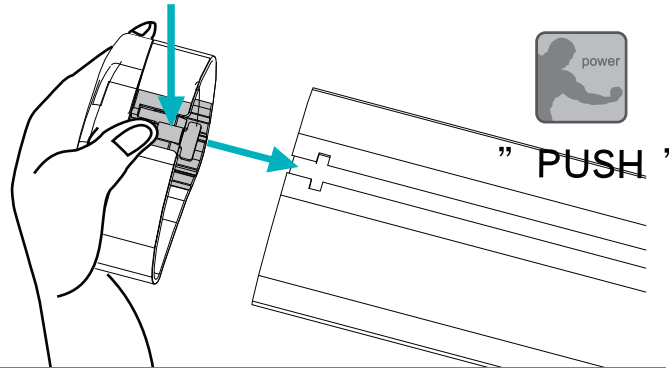
② 把旋鈕螺母鎖定



③ 再把外蓋鎖上既完成裝置

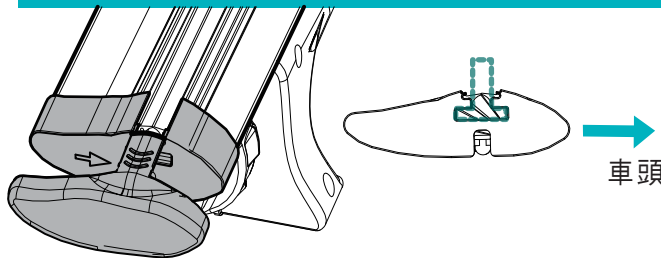
- 請將尾塞依左、右側,分別按住尾塞下方處加壓,將尾塞推入橫桿
- Please push the end caps down and put them into the crossbar.

3



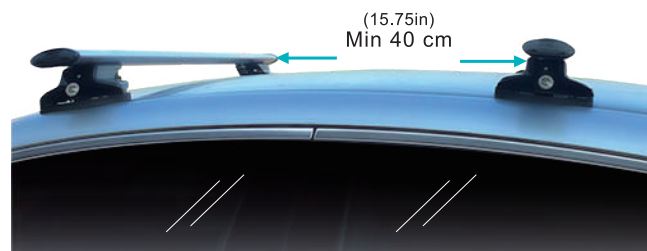
- 將橫桿放置車頂,調整適當距離
注意!尾塞箭頭必須朝向車頭方向,方正確
- Please make sure that the end cap is installed per drawing

4



- 產品組裝完成示意圖
- Installation complete.

5



可搭配之配件型號
Accessories available.



BC-225 R/L



BC-217



BC-1538/BC-1539



RR-2003 / 400 ml



RR-2001 / 460 ml



RR-2010 / 450 ml